

1 SECTION
S-510

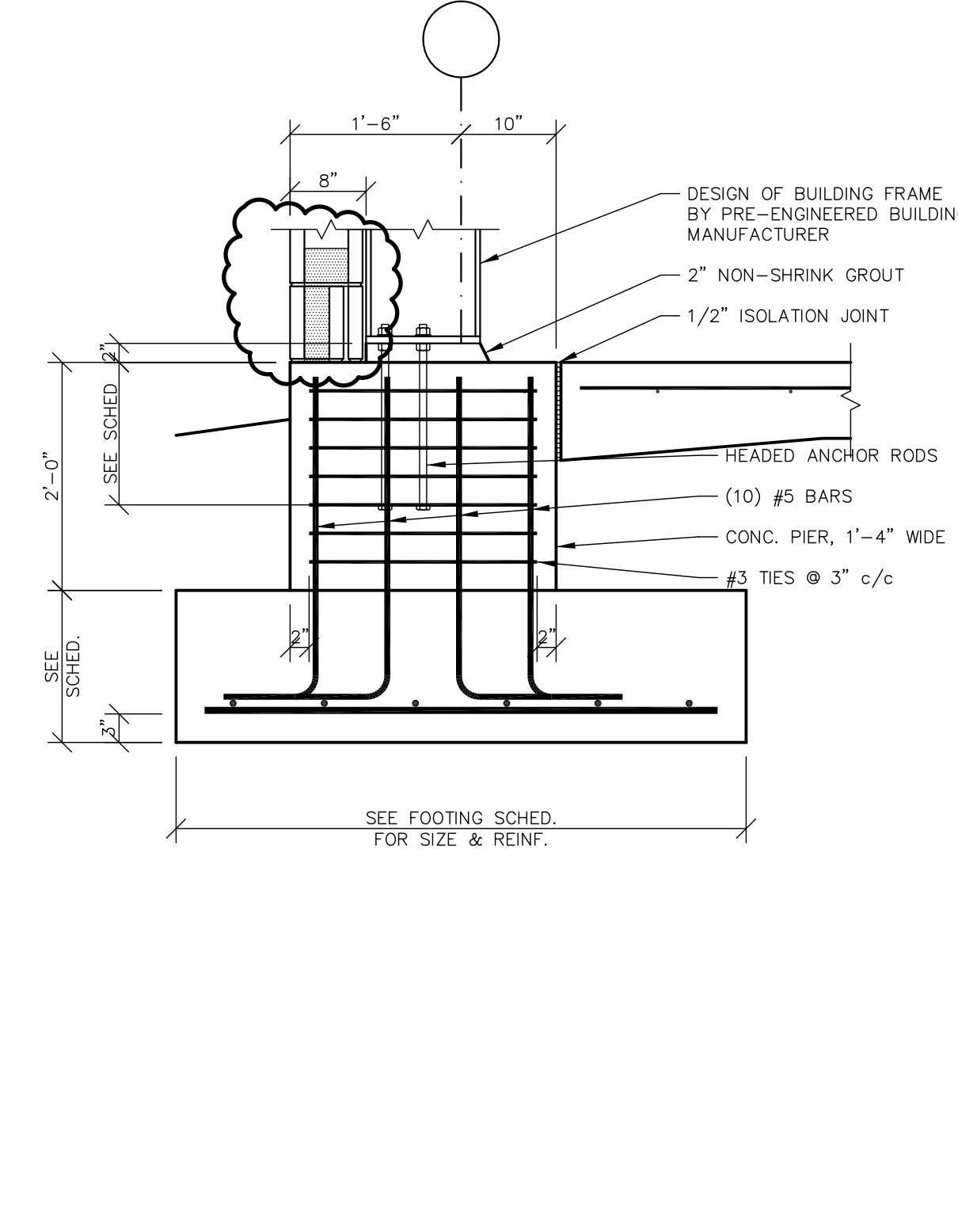
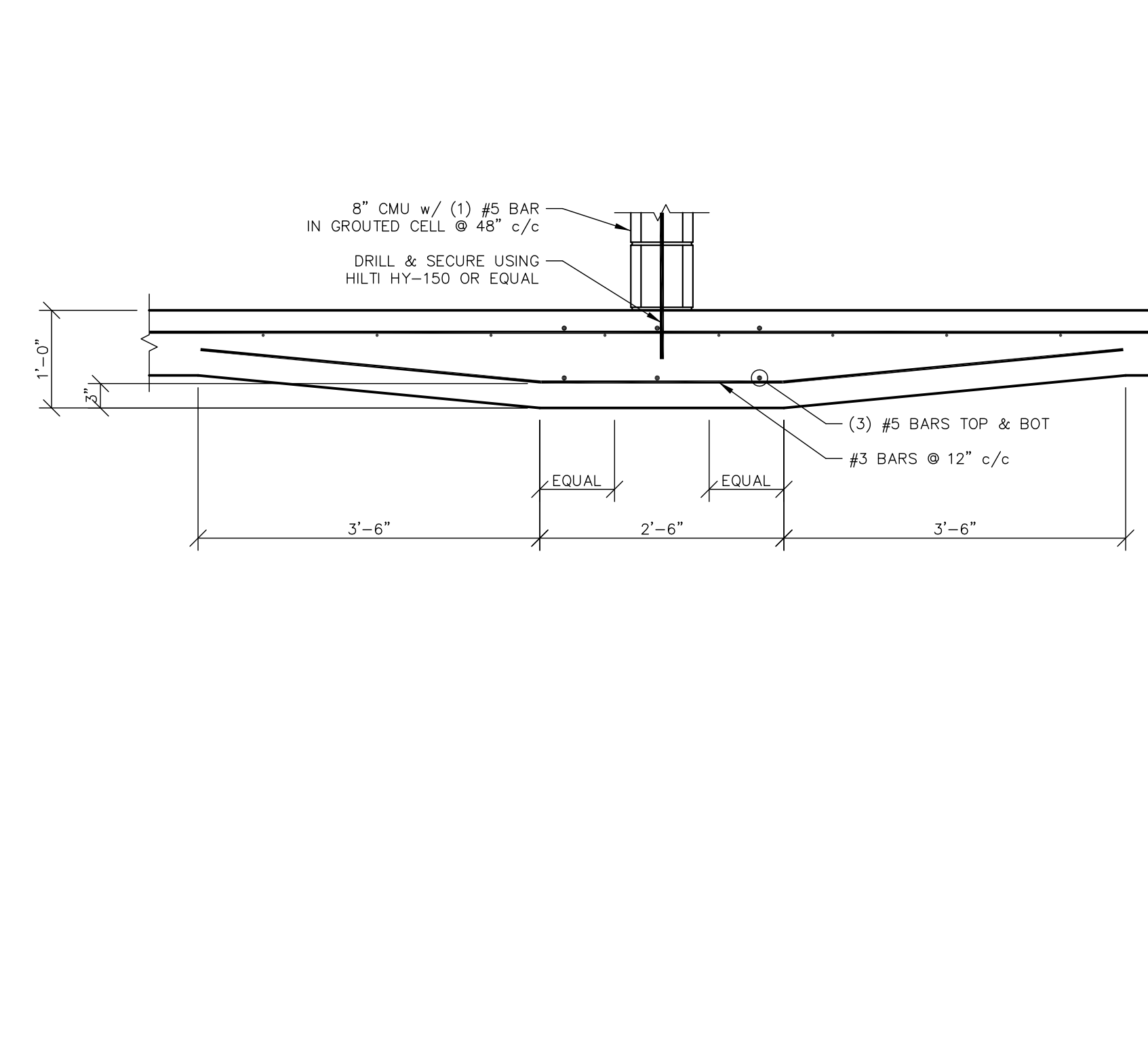
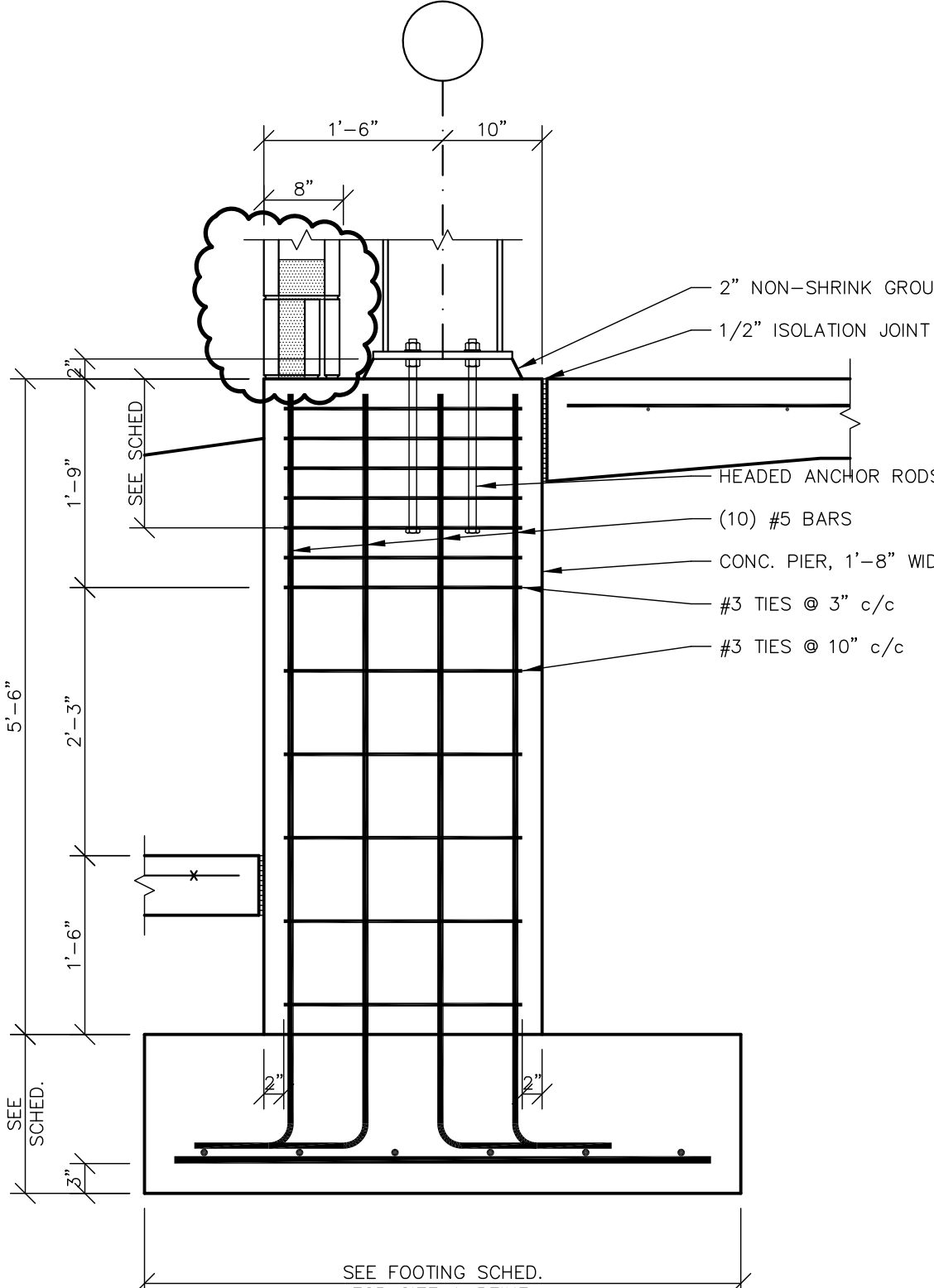
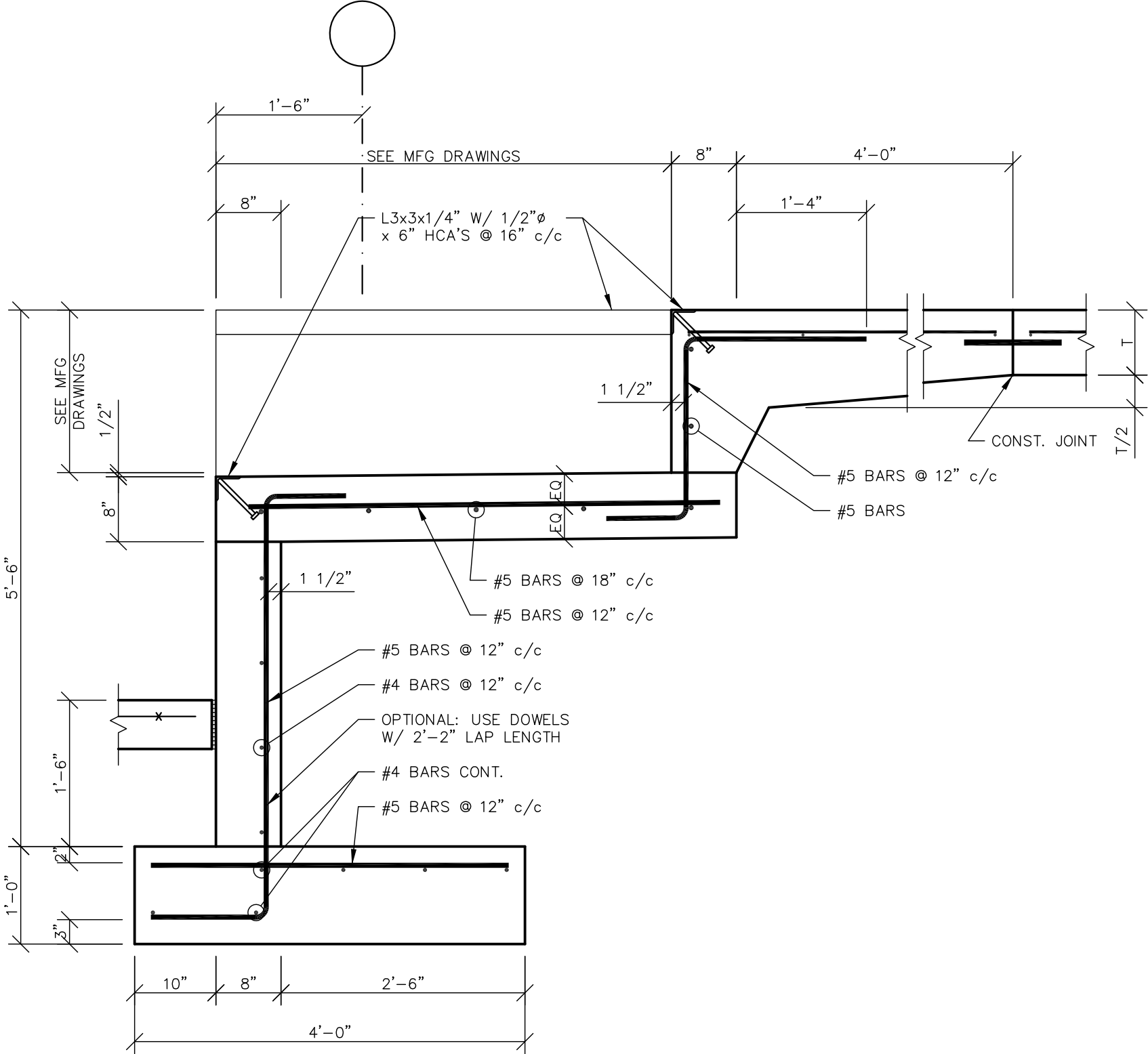
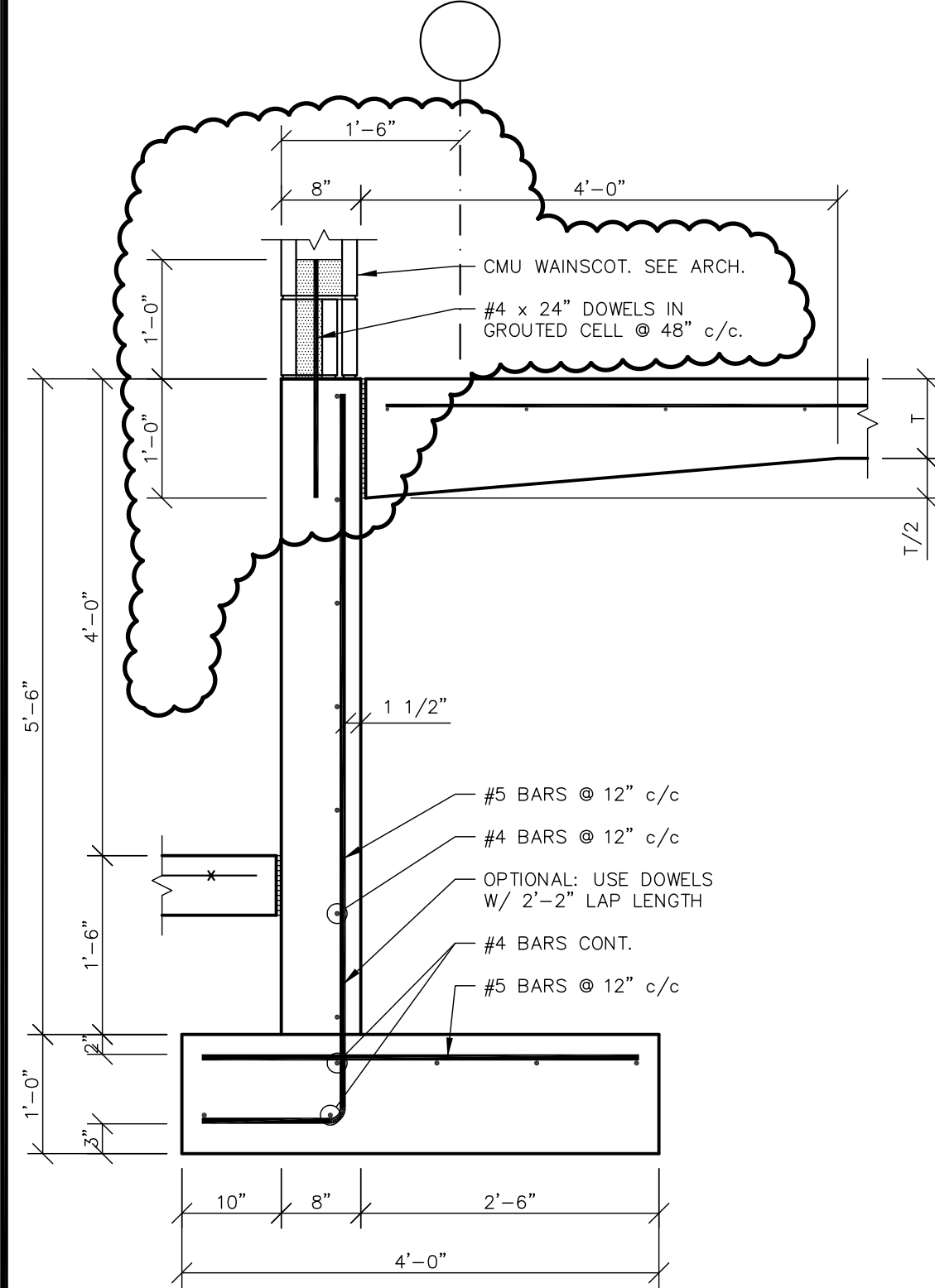
2 SECTION
S-510

3 SECTION
S-510

4 SECTION
S-510

5 SECTION
S-510

6 SECTION
S-510



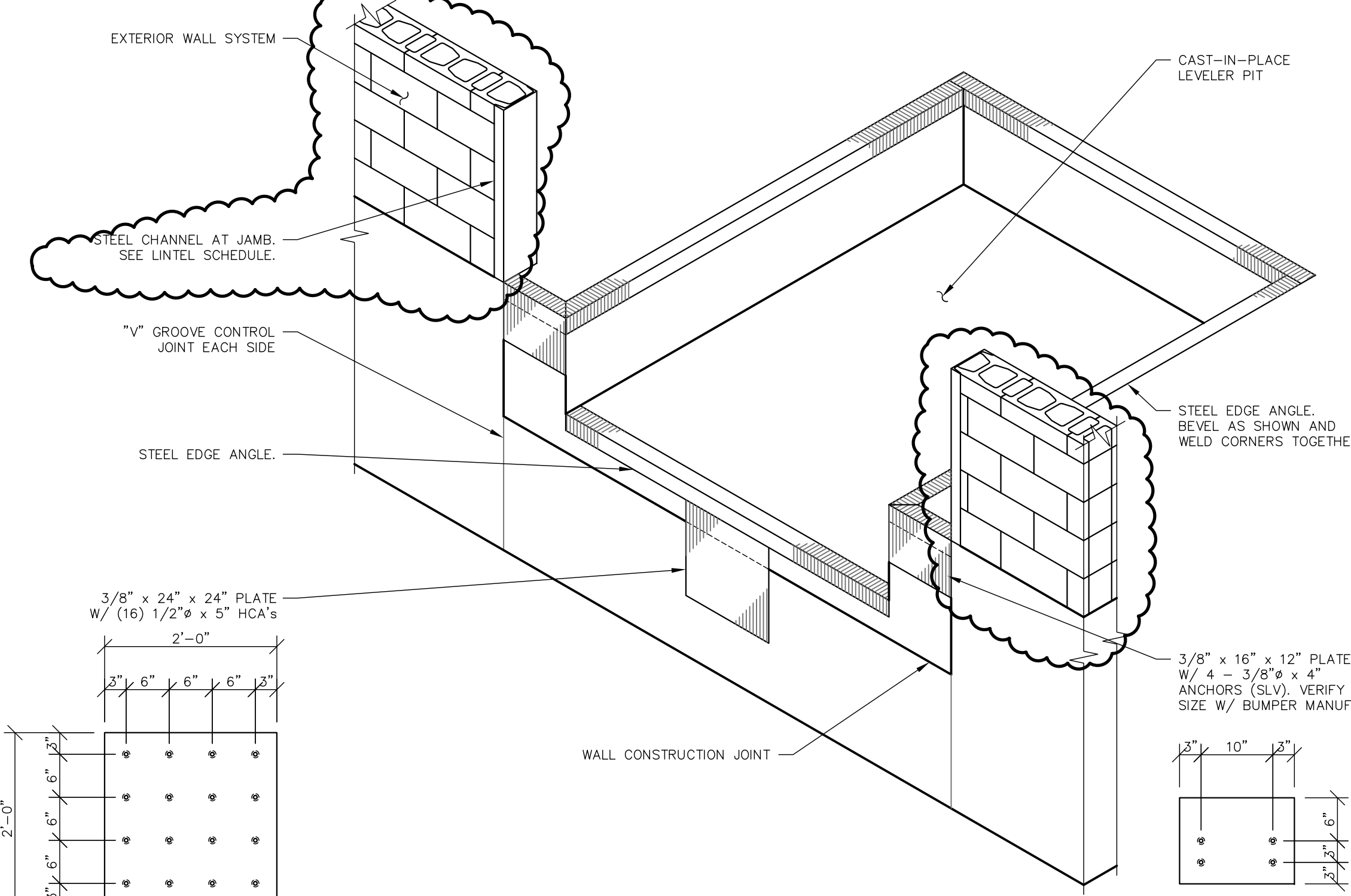
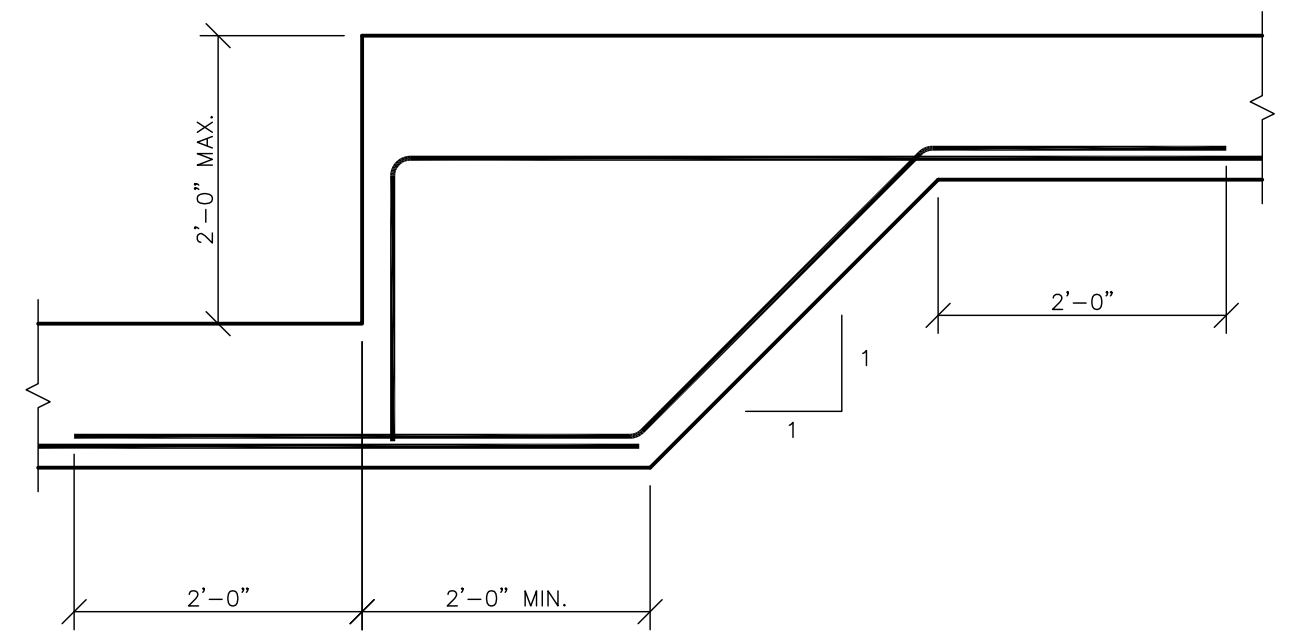
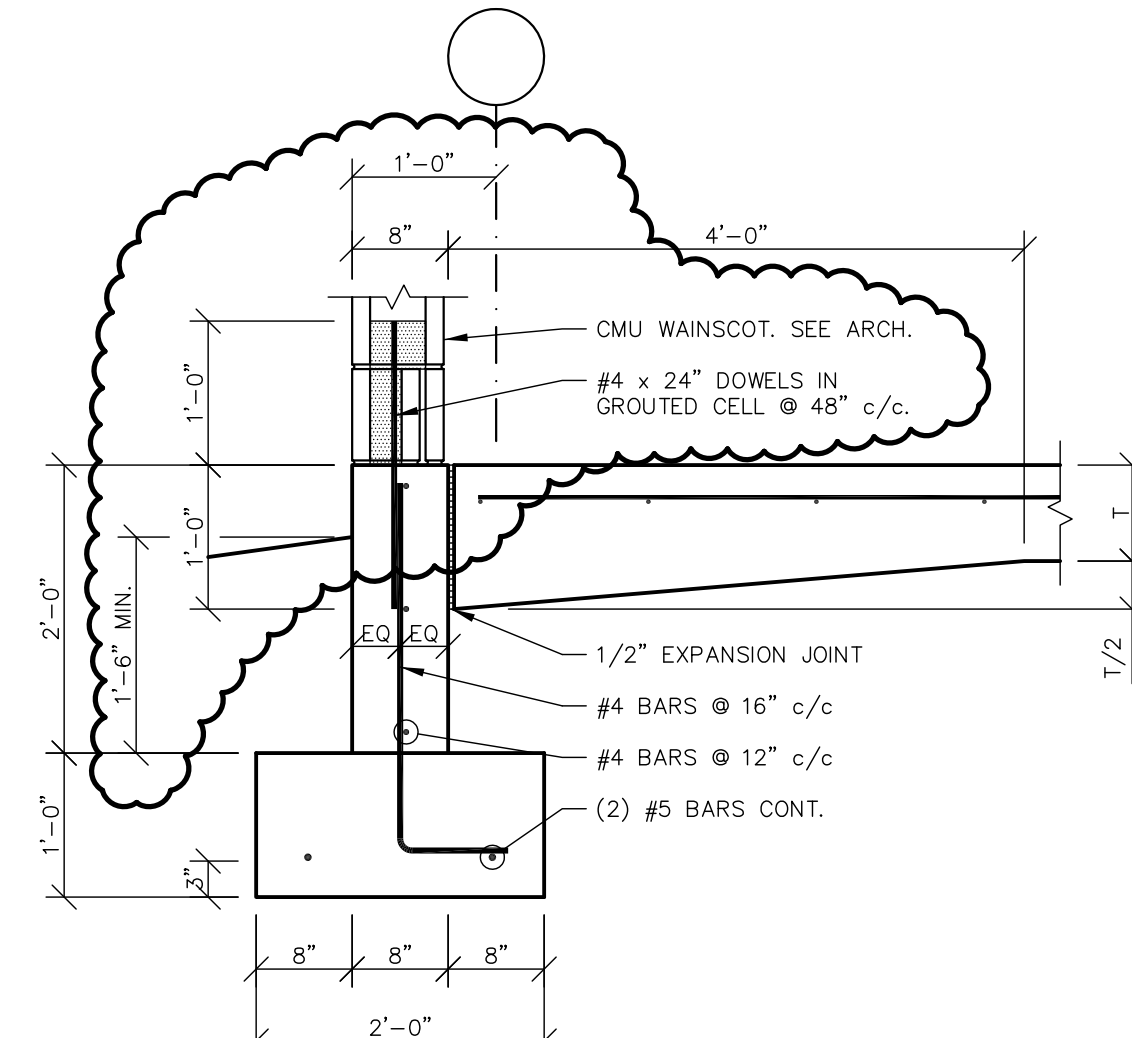
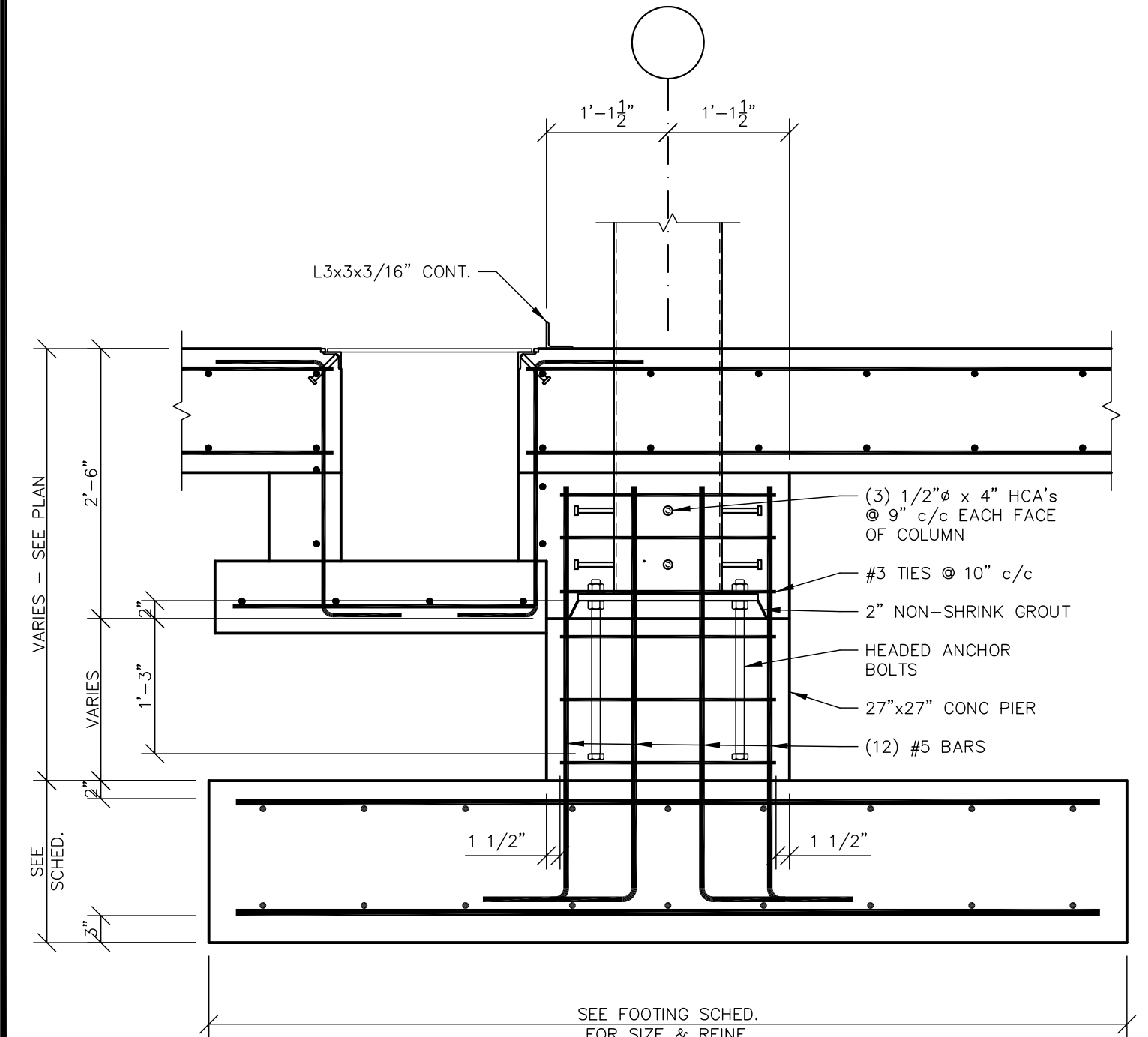
7 SECTION
S-510

8 SECTION
S-510

9 SECTION
S-510

10 SECTION
S-510

11 SECTION
S-510



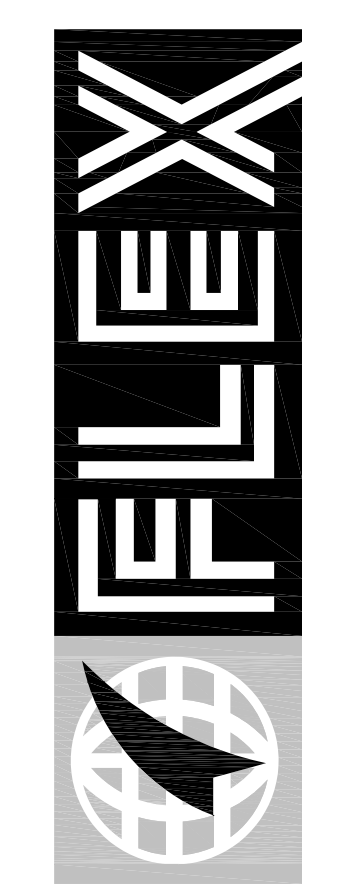
12 SECTION
S-510

13 SECTION
S-510

TYPICAL FOOTING STEP DETAIL
TYP. DETAIL

EDGE ANGLE AT LEVELER PIT
TYP. DETAIL

CONCRETE SECTIONS



FLEX FILMS (USA) INC.
1221 NORTH BLACK BRANCH ROAD
ELIZABETHTOWN, KENTUCKY 42702

PROJECT L-12 BOPET U.S.A.

DATE	REVISION	NUMBER	DESCRIPTION
10-21-11	ONE		
11-15-11	TWO		

PROJECT NO. 8529-02	DESIGNED BY EPH	CHECKED BY FH
DRAWN BY GPT	REVIEWED BY	DATE JULY 2011
SCALE	AS NOTED	

nse
OF KENTUCKY, INC.
624 Wellington Way
Lexington, KY 40503
Phone: (606) 223-5694
Fax: (606) 223-5697
www.nseinc.com

DRAWING NO.
**UFL-L12
S-510**